

## Latches

**Zinc Die Casting / Stainless Steel,  
with Extended Housing, Operation with Socket Keys /  
with Operating Elements, Lockable / not Lockable**

### SPECIFICATION

#### Version in Zinc Die Casting

##### Types

- Type **DK**: With triangular spindle
- Type **VK7**: With square spindle
- Type **VK8**: With square spindle
- Type **SCH**: With slot
- Type **VDE**: With double bit
- Type **SCK**: With wing knob (same lock)
- Type **SCT**: With T-Handle (same lock)
- Type **SG**: With star knob
- Type **SK**: With wing knob
- Type **ST**: With T-handle
- Type **RG**: With knurled knob GN 7336
- Type **KG**: With wing knob
- Type **HG**: With lever

##### Lock housing

Zinc die casting **ZD**

##### Housing collar

Powder coated

Black, RAL 9005, textured finish **SW**

##### Operating elements

Plastic (Polyamide PA)

Black, matte finish

##### Key

Nickel silver with plastic hand piece

##### Cover cap (Type RG, KG, HG)

Plastic (Polyamide PA)

Light gray, matte finish

##### Other parts

Steel, zinc plated, blue passivated

Protection class IP 65

#### Version in Stainless Steel

##### Types

- Type **DK**: With triangular spindle
- Type **VK7**: With square spindle
- Type **VK8**: With square spindle
- Type **SCH**: With slot
- Type **VDE**: With double bit
- Type **RG**: With plastic knurled knob GN 7336
- Type **KG**: With wing plastic knob
- Type **HG**: With plastic lever
- Type **SG**: With stainless steel star knob
- Type **KGN**: With stainless steel wing knob
- Type **HGN**: With stainless steel lever

##### Lock housing

Stainless steel **NI**

- AISI 316 (at  $h_1 = 30$ )

- AISI 303 (at  $h_1 = 50$ )

- Plain finish **BL**

##### Latch arm

Stainless steel AISI 304



##### Operating elements

- Type SG  
Stainless steel AISI 304  
Sheet metal drawn and hub welded
- Type KGN, HGN  
Stainless steel AISI CF-8
- Type RG, KG, HG  
Plastic (Polyamide PA)  
Black, matte finish

##### Other parts

Stainless steel AISI 303 (Types DK, VK7, VK8, SCH, VDE)

Stainless steel AISI 304 (Types RG, KG, HG, SG, KGN, HGN)

Protection class IP 65

### INFORMATION

Latches GN 515 are identical to standard latches GN 115 except for the extended housing. They are operated with a rotation limited to 90°, which moves the latch arm into the locked position behind the frame. The bevels of the latch arm ease the closing of the door. Thanks to the stainless steel material, the latches are optimally suited for use in corrosive environments.

By installing latch arms (zinc die casting version) with different bend profiles, the latch distance A can be varied from 16 to 92 mm depending on the housing height  $h_1$ , while the extended housing is suitable for a door thickness  $s$  up to 50 mm.

By installing latch arms (stainless steel version) with different bend profiles, the latch distance A can be varied from 18 to 82 mm depending on the housing height  $h_1$ , while the extended housing is suitable for a door thickness  $s$  up to 40 mm.

The latches (with operating elements, lockable) each come with 2 keys and loosely enclosed latch arm. The key can be removed in both end positions. The lock is standard, so that every lock can be opened with the same key.

Latches GN 515 (except types SCK, SCT) are supplied with loosely enclosed latch arm.

### ACCESSORY

- Socket Keys GN 119.2 (see page 1530)  
(Types DK, VK7, VK8, SCH, VDE)
- Opening Handles GN 120.1 (see page 1487)  
(Types DK, VK7, VK8, SCH, VDE)
- Protective Guide Plates GN 120.2 (see page 1479)  
(Types DK, VK7, VK8, SCH, VDE, SCK, SCT)
- Protective Caps GN 120 (see page 1486)  
(Types DK, VK7, VK8, SCH, VDE, for stainless steel version)

### TECHNICAL INFORMATION

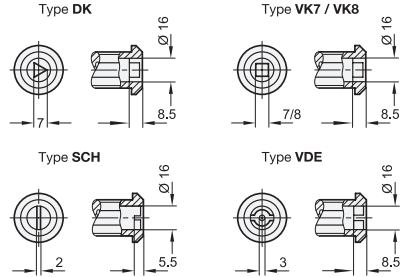
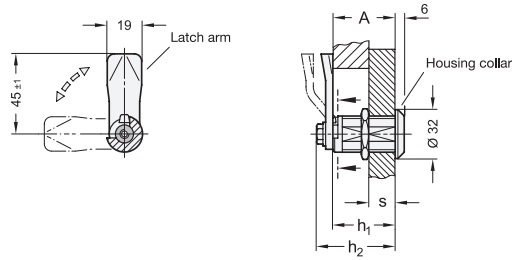
- IP Protection Classes (see page A23)
- Plastic Characteristics (see page A2)
- Stainless Steel Characteristics (see page A26)

\* Complete with type index of the latch

DK VK7 VK8 SCH VDE

### GN 515-ZD

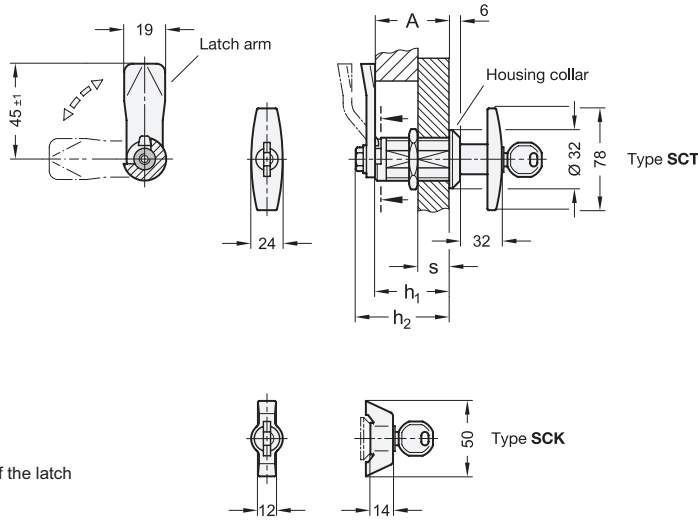
Description	h <sub>1</sub>	Latch arm distance A	h <sub>2</sub>	s max.	⚖
GN 515-ZD-*30-16-SW	30	16	40	20	106
GN 515-ZD-*30-20-SW	30	20	40	20	104
GN 515-ZD-*30-25-SW	30	25	40	20	103
GN 515-ZD-*30-28-SW	30	28	40	20	96
GN 515-ZD-*30-32-SW	30	32	40	20	102
GN 515-ZD-*30-36-SW	30	36	40	20	102
GN 515-ZD-*30-40-SW	30	40	40	20	104
GN 515-ZD-*30-44-SW	30	44	40	20	106
GN 515-ZD-*30-48-SW	30	48	40	20	106
GN 515-ZD-*30-52-SW	30	52	40	20	114
GN 515-ZD-*30-57-SW	30	57	40	20	106
GN 515-ZD-*30-18-SW	30	18	40	20	103
GN 515-ZD-*30-22-SW	30	22	40	20	103
GN 515-ZD-*30-26-SW	30	26	40	20	103
GN 515-ZD-*30-30-SW	30	30	40	20	101
GN 515-ZD-*30-34-SW	30	34	40	20	102
GN 515-ZD-*30-38-SW	30	38	40	20	104
GN 515-ZD-*30-42-SW	30	42	40	20	105
GN 515-ZD-*30-46-SW	30	46	40	20	108
GN 515-ZD-*30-50-SW	30	50	40	20	111
GN 515-ZD-*30-54-SW	30	54	40	20	113
GN 515-ZD-*30-62-SW	30	62	40	20	118
GN 515-ZD-*40-26-SW	40	26	50	30	126
GN 515-ZD-*40-30-SW	40	30	50	30	124
GN 515-ZD-*40-35-SW	40	35	50	30	123
GN 515-ZD-*40-38-SW	40	38	50	30	116
GN 515-ZD-*40-42-SW	40	42	50	30	122
GN 515-ZD-*40-46-SW	40	46	50	30	122
GN 515-ZD-*40-50-SW	40	50	50	30	124
GN 515-ZD-*40-54-SW	40	54	50	30	126
GN 515-ZD-*40-58-SW	40	58	50	30	126
GN 515-ZD-*40-62-SW	40	62	50	30	134
GN 515-ZD-*40-67-SW	40	67	50	30	126
GN 515-ZD-*40-28-SW	40	28	50	30	123
GN 515-ZD-*40-32-SW	40	32	50	30	123
GN 515-ZD-*40-36-SW	40	36	50	30	123
GN 515-ZD-*40-40-SW	40	40	50	30	121
GN 515-ZD-*40-44-SW	40	44	50	30	122
GN 515-ZD-*40-48-SW	40	48	50	30	124
GN 515-ZD-*40-52-SW	40	52	50	30	125
GN 515-ZD-*40-56-SW	40	56	50	30	128
GN 515-ZD-*40-60-SW	40	60	50	30	131
GN 515-ZD-*40-64-SW	40	64	50	30	133
GN 515-ZD-*40-72-SW	40	72	50	30	138
GN 515-ZD-*50-36-SW	50	36	60	40	142



Description	h <sub>1</sub>	Latch arm distance A	h <sub>2</sub>	s max.	⚖
GN 515-ZD-*50-40-SW	50	40	60	40	140
GN 515-ZD-*50-45-SW	50	45	60	40	139
GN 515-ZD-*50-48-SW	50	48	60	40	132
GN 515-ZD-*50-52-SW	50	52	60	40	138
GN 515-ZD-*50-56-SW	50	56	60	40	138
GN 515-ZD-*50-60-SW	50	60	60	40	140
GN 515-ZD-*50-64-SW	50	64	60	40	142
GN 515-ZD-*50-68-SW	50	68	60	40	142
GN 515-ZD-*50-72-SW	50	72	60	40	150
GN 515-ZD-*50-77-SW	50	77	60	40	142
GN 515-ZD-*50-38-SW	50	38	60	40	139
GN 515-ZD-*50-42-SW	50	42	60	40	139
GN 515-ZD-*50-46-SW	50	46	60	40	139
GN 515-ZD-*50-50-SW	50	50	60	40	137
GN 515-ZD-*50-54-SW	50	54	60	40	138
GN 515-ZD-*50-58-SW	50	58	60	40	140
GN 515-ZD-*50-62-SW	50	62	60	40	141
GN 515-ZD-*50-66-SW	50	66	60	40	144
GN 515-ZD-*50-70-SW	50	70	60	40	147
GN 515-ZD-*50-74-SW	50	74	60	40	149
GN 515-ZD-*50-82-SW	50	82	60	40	154
GN 515-ZD-*60-46-SW	60	46	70	50	158
GN 515-ZD-*60-50-SW	60	50	70	50	156
GN 515-ZD-*60-55-SW	60	55	70	50	155
GN 515-ZD-*60-58-SW	60	58	70	50	148
GN 515-ZD-*60-62-SW	60	62	70	50	154
GN 515-ZD-*60-66-SW	60	66	70	50	154
GN 515-ZD-*60-70-SW	60	70	70	50	156
GN 515-ZD-*60-74-SW	60	74	70	50	158
GN 515-ZD-*60-78-SW	60	78	70	50	158
GN 515-ZD-*60-82-SW	60	82	70	50	166
GN 515-ZD-*60-87-SW	60	87	70	50	158
GN 515-ZD-*60-48-SW	60	48	70	50	155
GN 515-ZD-*60-52-SW	60	52	70	50	155
GN 515-ZD-*60-56-SW	60	56	70	50	155
GN 515-ZD-*60-60-SW	60	60	70	50	153
GN 515-ZD-*60-64-SW	60	64	70	50	154
GN 515-ZD-*60-68-SW	60	68	70	50	156
GN 515-ZD-*60-72-SW	60	72	70	50	157
GN 515-ZD-*60-76-SW	60	76	70	50	160
GN 515-ZD-*60-80-SW	60	80	70	50	163
GN 515-ZD-*60-84-SW	60	84	70	50	165
GN 515-ZD-*60-92-SW	60	92	70	50	170

Weight type DK





\* Complete with type index of the latch

SCK SCT

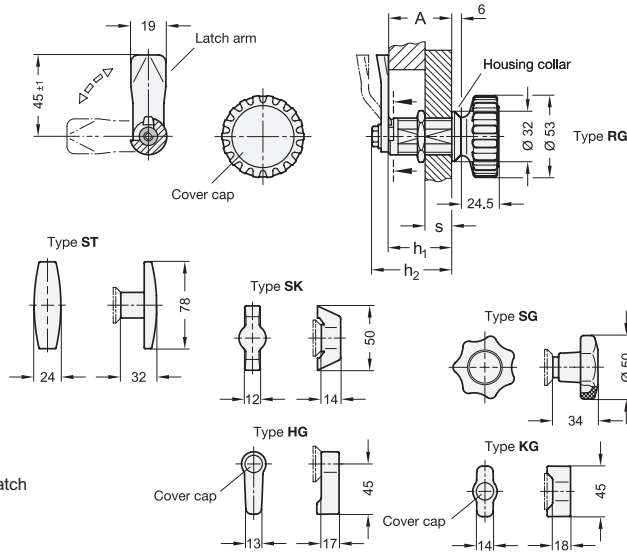
GN 515-ZD-L

Description	h1	Latch arm distance A	h2	s max.	⚖
GN 515-ZD.*-30-16-SW	30	16	40	20	136
GN 515-ZD.*-30-20-SW	30	20	40	20	134
GN 515-ZD.*-30-25-SW	30	25	40	20	133
GN 515-ZD.*-30-28-SW	30	28	40	20	126
GN 515-ZD.*-30-32-SW	30	32	40	20	132
GN 515-ZD.*-30-36-SW	30	36	40	20	132
GN 515-ZD.*-30-40-SW	30	40	40	20	134
GN 515-ZD.*-30-44-SW	30	44	40	20	136
GN 515-ZD.*-30-48-SW	30	48	40	20	136
GN 515-ZD.*-30-52-SW	30	52	40	20	144
GN 515-ZD.*-30-57-SW	30	57	40	20	136
GN 515-ZD.*-30-18-SW	30	18	40	20	133
GN 515-ZD.*-30-22-SW	30	22	40	20	133
GN 515-ZD.*-30-26-SW	30	26	40	20	133
GN 515-ZD.*-30-30-SW	30	30	40	20	131
GN 515-ZD.*-30-34-SW	30	34	40	20	132
GN 515-ZD.*-30-38-SW	30	38	40	20	134
GN 515-ZD.*-30-42-SW	30	42	40	20	135
GN 515-ZD.*-30-46-SW	30	46	40	20	138
GN 515-ZD.*-30-50-SW	30	50	40	20	141
GN 515-ZD.*-30-54-SW	30	54	40	20	143
GN 515-ZD.*-30-62-SW	30	62	40	20	148
GN 515-ZD.*-40-26-SW	40	26	50	30	158
GN 515-ZD.*-40-30-SW	40	30	50	30	156
GN 515-ZD.*-40-35-SW	40	35	50	30	155
GN 515-ZD.*-40-38-SW	40	38	50	30	148
GN 515-ZD.*-40-42-SW	40	42	50	30	154
GN 515-ZD.*-40-46-SW	40	46	50	30	154
GN 515-ZD.*-40-50-SW	40	50	50	30	156
GN 515-ZD.*-40-54-SW	40	54	50	30	158
GN 515-ZD.*-40-58-SW	40	58	50	30	158
GN 515-ZD.*-40-62-SW	40	62	50	30	166
GN 515-ZD.*-40-67-SW	40	67	50	30	158
GN 515-ZD.*-40-28-SW	40	28	50	30	155
GN 515-ZD.*-40-32-SW	40	32	50	30	155
GN 515-ZD.*-40-36-SW	40	36	50	30	155
GN 515-ZD.*-40-40-SW	40	40	50	30	153
GN 515-ZD.*-40-44-SW	40	44	50	30	154
GN 515-ZD.*-40-48-SW	40	48	50	30	156
GN 515-ZD.*-40-52-SW	40	52	50	30	157
GN 515-ZD.*-40-56-SW	40	56	50	30	160
GN 515-ZD.*-40-60-SW	40	60	50	30	163
GN 515-ZD.*-40-64-SW	40	64	50	30	165
GN 515-ZD.*-40-72-SW	40	72	50	30	170
GN 515-ZD.*-50-36-SW	50	36	60	40	177

Description	h1	Latch arm distance A	h2	s max.	⚖
GN 515-ZD.*-50-40-SW	50	40	60	40	175
GN 515-ZD.*-50-45-SW	50	45	60	40	174
GN 515-ZD.*-50-48-SW	50	48	60	40	167
GN 515-ZD.*-50-52-SW	50	52	60	40	173
GN 515-ZD.*-50-56-SW	50	56	60	40	173
GN 515-ZD.*-50-60-SW	50	60	60	40	175
GN 515-ZD.*-50-64-SW	50	64	60	40	177
GN 515-ZD.*-50-68-SW	50	68	60	40	177
GN 515-ZD.*-50-72-SW	50	72	60	40	185
GN 515-ZD.*-50-77-SW	50	77	60	40	177
GN 515-ZD.*-50-38-SW	50	38	60	40	174
GN 515-ZD.*-50-42-SW	50	42	60	40	174
GN 515-ZD.*-50-46-SW	50	46	60	40	174
GN 515-ZD.*-50-50-SW	50	50	60	40	172
GN 515-ZD.*-50-54-SW	50	54	60	40	173
GN 515-ZD.*-50-58-SW	50	58	60	40	175
GN 515-ZD.*-50-62-SW	50	62	60	40	176
GN 515-ZD.*-50-66-SW	50	66	60	40	179
GN 515-ZD.*-50-70-SW	50	70	60	40	182
GN 515-ZD.*-50-74-SW	50	74	60	40	184
GN 515-ZD.*-50-82-SW	50	82	60	40	189
GN 515-ZD.*-60-46-SW	60	46	70	50	198
GN 515-ZD.*-60-50-SW	60	50	70	50	196
GN 515-ZD.*-60-55-SW	60	55	70	50	195
GN 515-ZD.*-60-58-SW	60	58	70	50	188
GN 515-ZD.*-60-62-SW	60	62	70	50	194
GN 515-ZD.*-60-66-SW	60	66	70	50	194
GN 515-ZD.*-60-70-SW	60	70	70	50	196
GN 515-ZD.*-60-74-SW	60	74	70	50	198
GN 515-ZD.*-60-78-SW	60	78	70	50	198
GN 515-ZD.*-60-82-SW	60	82	70	50	206
GN 515-ZD.*-60-87-SW	60	87	70	50	198
GN 515-ZD.*-60-48-SW	60	48	70	50	195
GN 515-ZD.*-60-52-SW	60	52	70	50	195
GN 515-ZD.*-60-56-SW	60	56	70	50	195
GN 515-ZD.*-60-60-SW	60	60	70	50	193
GN 515-ZD.*-60-64-SW	60	64	70	50	194
GN 515-ZD.*-60-68-SW	60	68	70	50	196
GN 515-ZD.*-60-72-SW	60	72	70	50	197
GN 515-ZD.*-60-76-SW	60	76	70	50	200
GN 515-ZD.*-60-80-SW	60	80	70	50	203
GN 515-ZD.*-60-84-SW	60	84	70	50	205
GN 515-ZD.*-60-92-SW	60	92	70	50	210

Weight type SCK





\* Complete with type index of the latch  
**SG SK ST RG KG HG**

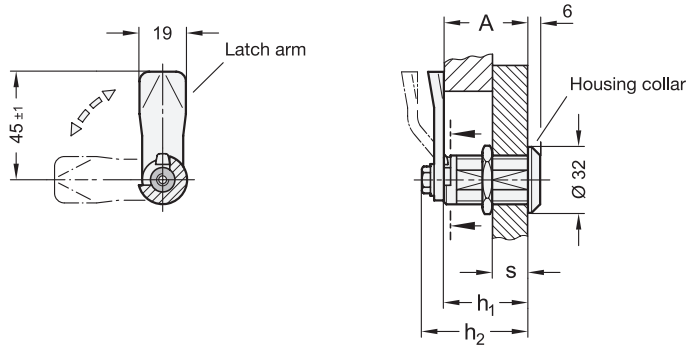
**GN 515-ZD**

Description	h <sub>1</sub>	Latch arm distance A	h <sub>2</sub>	s max.	⚖️
GN 515-ZD-*30-16-SW	30	16	40	20	145
GN 515-ZD-*30-20-SW	30	20	40	20	143
GN 515-ZD-*30-25-SW	30	25	40	20	142
GN 515-ZD-*30-28-SW	30	28	40	20	135
GN 515-ZD-*30-32-SW	30	32	40	20	141
GN 515-ZD-*30-36-SW	30	36	40	20	141
GN 515-ZD-*30-40-SW	30	40	40	20	143
GN 515-ZD-*30-44-SW	30	44	40	20	145
GN 515-ZD-*30-48-SW	30	48	40	20	145
GN 515-ZD-*30-52-SW	30	52	40	20	153
GN 515-ZD-*30-57-SW	30	57	40	20	145
GN 515-ZD-*30-18-SW	30	18	40	20	142
GN 515-ZD-*30-22-SW	30	22	40	20	142
GN 515-ZD-*30-26-SW	30	26	40	20	142
GN 515-ZD-*30-30-SW	30	30	40	20	140
GN 515-ZD-*30-34-SW	30	34	40	20	141
GN 515-ZD-*30-38-SW	30	38	40	20	143
GN 515-ZD-*30-42-SW	30	42	40	20	144
GN 515-ZD-*30-46-SW	30	46	40	20	147
GN 515-ZD-*30-50-SW	30	50	40	20	150
GN 515-ZD-*30-54-SW	30	54	40	20	152
GN 515-ZD-*30-62-SW	30	62	40	20	157
GN 515-ZD-*40-26-SW	40	26	50	30	165
GN 515-ZD-*40-30-SW	40	30	50	30	163
GN 515-ZD-*40-35-SW	40	35	50	30	162
GN 515-ZD-*40-38-SW	40	38	50	30	155
GN 515-ZD-*40-42-SW	40	42	50	30	161
GN 515-ZD-*40-46-SW	40	46	50	30	161
GN 515-ZD-*40-50-SW	40	50	50	30	163
GN 515-ZD-*40-54-SW	40	54	50	30	165
GN 515-ZD-*40-58-SW	40	58	50	30	165
GN 515-ZD-*40-62-SW	40	62	50	30	173
GN 515-ZD-*40-67-SW	40	67	50	30	165
GN 515-ZD-*40-28-SW	40	28	50	30	162
GN 515-ZD-*40-32-SW	40	32	50	30	162
GN 515-ZD-*40-36-SW	40	36	50	30	162
GN 515-ZD-*40-40-SW	40	40	50	30	160
GN 515-ZD-*40-44-SW	40	44	50	30	161
GN 515-ZD-*40-48-SW	40	48	50	30	163
GN 515-ZD-*40-52-SW	40	52	50	30	164
GN 515-ZD-*40-56-SW	40	56	50	30	167
GN 515-ZD-*40-60-SW	40	60	50	30	170
GN 515-ZD-*40-64-SW	40	64	50	30	172
GN 515-ZD-*40-72-SW	40	72	50	30	177
GN 515-ZD-*50-36-SW	50	36	60	40	182

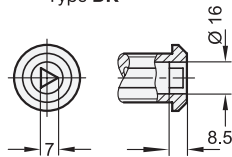
Description	h <sub>1</sub>	Latch arm distance A	h <sub>2</sub>	s max.	⚖️
GN 515-ZD-*50-40-SW	50	40	60	40	180
GN 515-ZD-*50-45-SW	50	45	60	40	179
GN 515-ZD-*50-48-SW	50	48	60	40	172
GN 515-ZD-*50-52-SW	50	52	60	40	178
GN 515-ZD-*50-56-SW	50	56	60	40	178
GN 515-ZD-*50-60-SW	50	60	60	40	180
GN 515-ZD-*50-64-SW	50	64	60	40	182
GN 515-ZD-*50-68-SW	50	68	60	40	182
GN 515-ZD-*50-72-SW	50	72	60	40	190
GN 515-ZD-*50-77-SW	50	77	60	40	182
GN 515-ZD-*50-38-SW	50	38	60	40	179
GN 515-ZD-*50-42-SW	50	42	60	40	179
GN 515-ZD-*50-46-SW	50	46	60	40	179
GN 515-ZD-*50-50-SW	50	50	60	40	177
GN 515-ZD-*50-54-SW	50	54	60	40	178
GN 515-ZD-*50-58-SW	50	58	60	40	180
GN 515-ZD-*50-62-SW	50	62	60	40	181
GN 515-ZD-*50-66-SW	50	66	60	40	184
GN 515-ZD-*50-70-SW	50	70	60	40	187
GN 515-ZD-*50-74-SW	50	74	60	40	189
GN 515-ZD-*50-82-SW	50	82	60	40	194
GN 515-ZD-*60-46-SW	60	46	70	50	198
GN 515-ZD-*60-50-SW	60	50	70	50	196
GN 515-ZD-*60-55-SW	60	55	70	50	195
GN 515-ZD-*60-58-SW	60	58	70	50	188
GN 515-ZD-*60-62-SW	60	62	70	50	194
GN 515-ZD-*60-66-SW	60	66	70	50	194
GN 515-ZD-*60-70-SW	60	70	70	50	196
GN 515-ZD-*60-74-SW	60	74	70	50	198
GN 515-ZD-*60-78-SW	60	78	70	50	198
GN 515-ZD-*60-82-SW	60	82	70	50	206
GN 515-ZD-*60-87-SW	60	87	70	50	198
GN 515-ZD-*60-48-SW	60	48	70	50	195
GN 515-ZD-*60-52-SW	60	52	70	50	195
GN 515-ZD-*60-56-SW	60	56	70	50	195
GN 515-ZD-*60-60-SW	60	60	70	50	193
GN 515-ZD-*60-64-SW	60	64	70	50	194
GN 515-ZD-*60-68-SW	60	68	70	50	196
GN 515-ZD-*60-72-SW	60	72	70	50	197
GN 515-ZD-*60-76-SW	60	76	70	50	200
GN 515-ZD-*60-80-SW	60	80	70	50	203
GN 515-ZD-*60-84-SW	60	84	70	50	205
GN 515-ZD-*60-92-SW	60	92	70	50	210

Weight type SG

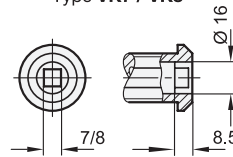




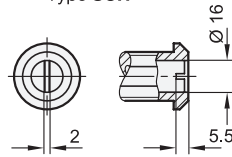
Type DK



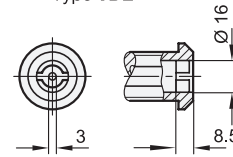
Type VK7 / VK8



Type SCH



Type VDE



\* Complete with type index of the latch

DK VK7 VK8 SCH VDE

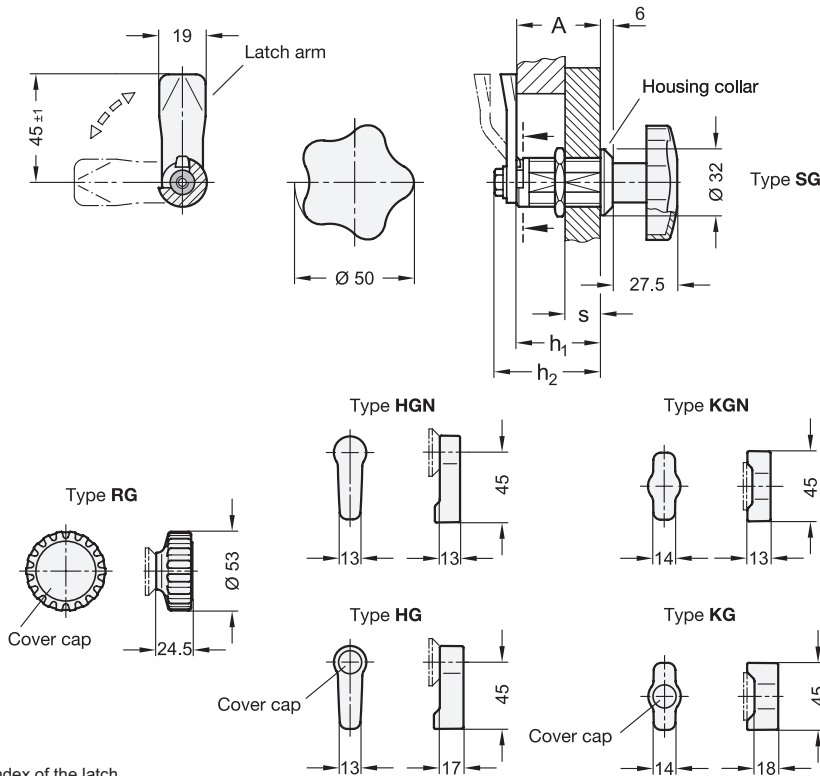
GN 515-NI

STAINLESS STEEL

Description	h <sub>1</sub>	Latch arm distance A	h <sub>2</sub>	s max.	⚖
GN 515-NI-*30-18-BL	30	18	40	20	114
GN 515-NI-*30-22-BL	30	22	40	20	112
GN 515-NI-*30-26-BL	30	26	40	20	110
GN 515-NI-*30-30-BL	30	30	40	20	110
GN 515-NI-*30-32-BL	30	32	40	20	110
GN 515-NI-*30-34-BL	30	34	40	20	110
GN 515-NI-*30-36-BL	30	36	40	20	105
GN 515-NI-*30-38-BL	30	38	40	20	111
GN 515-NI-*30-40-BL	30	40	40	20	113
GN 515-NI-*30-42-BL	30	42	40	20	105
GN 515-NI-*30-46-BL	30	46	40	20	116
GN 515-NI-*30-50-BL	30	50	40	20	119
GN 515-NI-*30-52-BL	30	52	40	20	115
GN 515-NI-*30-62-BL	30	62	40	20	146
GN 515-NI-*50-38-BL	50	38	60	40	163
GN 515-NI-*50-42-BL	50	42	60	40	161
GN 515-NI-*50-46-BL	50	46	60	40	159
GN 515-NI-*50-50-BL	50	50	60	40	159
GN 515-NI-*50-52-BL	50	52	60	40	159
GN 515-NI-*50-54-BL	50	54	60	40	159
GN 515-NI-*50-56-BL	50	56	60	40	154
GN 515-NI-*50-58-BL	50	58	60	40	160
GN 515-NI-*50-60-BL	50	60	60	40	162
GN 515-NI-*50-62-BL	50	62	60	40	154
GN 515-NI-*50-66-BL	50	66	60	40	165
GN 515-NI-*50-70-BL	50	70	60	40	168
GN 515-NI-*50-72-BL	50	72	60	40	164
GN 515-NI-*50-82-BL	50	82	60	40	195

Weight type DK





\* Complete with type index of the latch

RG KG HG SG KGN HGN

GN 515-NI

STAINLESS STEEL

Description	h <sub>1</sub>	Latch arm distance A	h <sub>2</sub>	s max.	⚖
GN 515-NI-*-30-18-BL	30	18	40	20	153
GN 515-NI-*-30-22-BL	30	22	40	20	151
GN 515-NI-*-30-26-BL	30	26	40	20	149
GN 515-NI-*-30-30-BL	30	30	40	20	149
GN 515-NI-*-30-32-BL	30	32	40	20	149
GN 515-NI-*-30-34-BL	30	34	40	20	149
GN 515-NI-*-30-36-BL	30	36	40	20	144
GN 515-NI-*-30-38-BL	30	38	40	20	150
GN 515-NI-*-30-40-BL	30	40	40	20	152
GN 515-NI-*-30-42-BL	30	42	40	20	144
GN 515-NI-*-30-46-BL	30	46	40	20	155
GN 515-NI-*-30-50-BL	30	50	40	20	158
GN 515-NI-*-30-52-BL	30	52	40	20	154
GN 515-NI-*-30-62-BL	30	62	40	20	185
GN 515-NI-*-50-38-BL	50	38	60	40	203
GN 515-NI-*-50-42-BL	50	42	60	40	201
GN 515-NI-*-50-46-BL	50	46	60	40	199
GN 515-NI-*-50-50-BL	50	50	60	40	199
GN 515-NI-*-50-52-BL	50	52	60	40	199
GN 515-NI-*-50-54-BL	50	54	60	40	199
GN 515-NI-*-50-56-BL	50	56	60	40	194
GN 515-NI-*-50-58-BL	50	58	60	40	200
GN 515-NI-*-50-60-BL	50	60	60	40	202
GN 515-NI-*-50-62-BL	50	62	60	40	194
GN 515-NI-*-50-66-BL	50	66	60	40	205
GN 515-NI-*-50-70-BL	50	70	60	40	208
GN 515-NI-*-50-72-BL	50	72	60	40	204
GN 515-NI-*-50-82-BL	50	82	60	40	235

Weight type RG

